



31.08.2021 | 01.09.2021

ENERGY LABEL 874/2012 A++ - A

ENERGY LABEL 2019/2015 G 943.73 943.74 F 945.74 945.75

www.paulmann.com/symbols

Paulmann Licht GmbH  
Quezinger Feld 2  
31832 Springe  
Germany  
www.paulmann.com

Art.-Nr.: 943.73, 943.74, 945.74, 945.75

PCIK 07/22

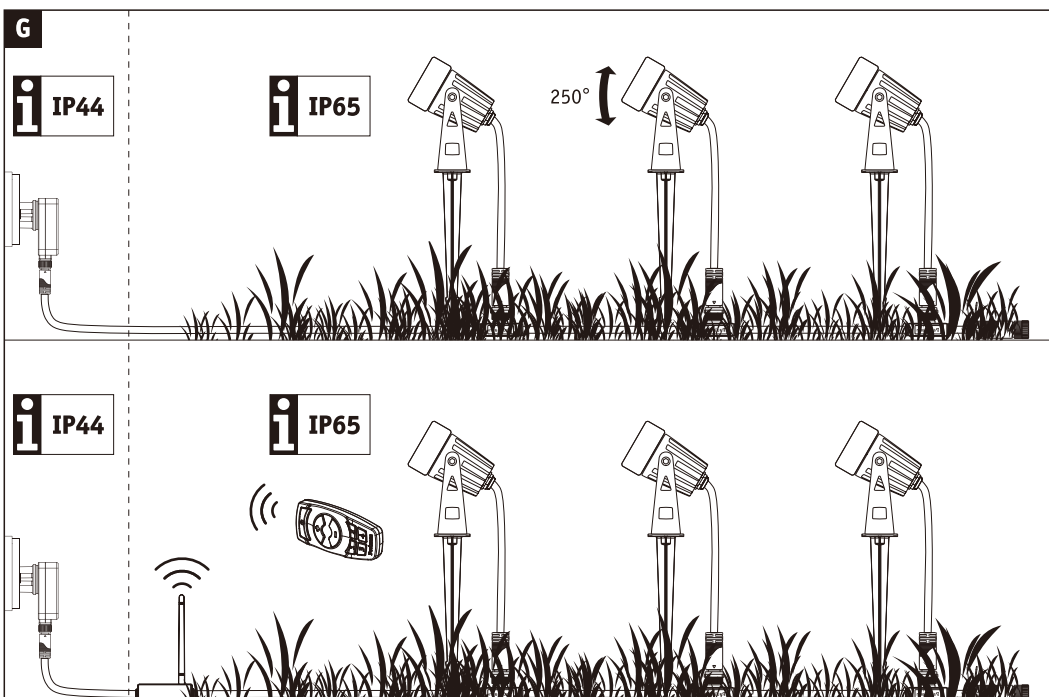
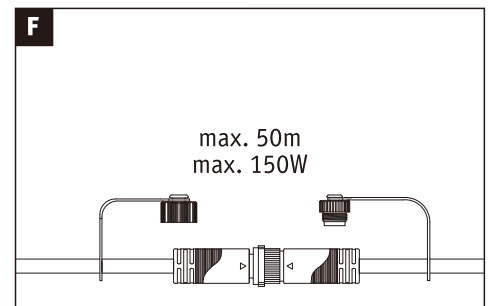
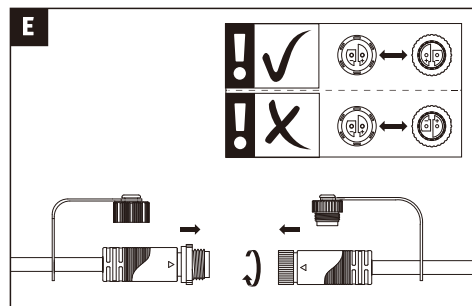
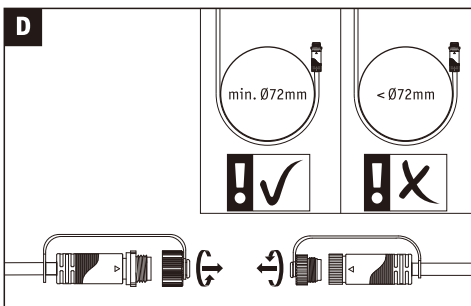
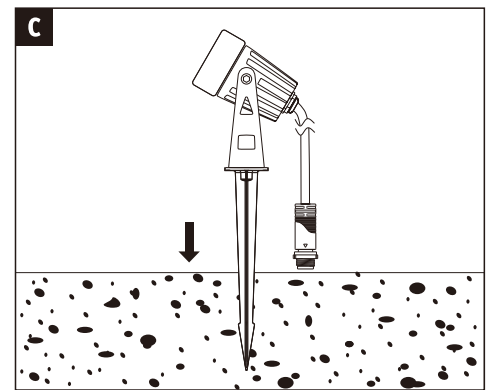
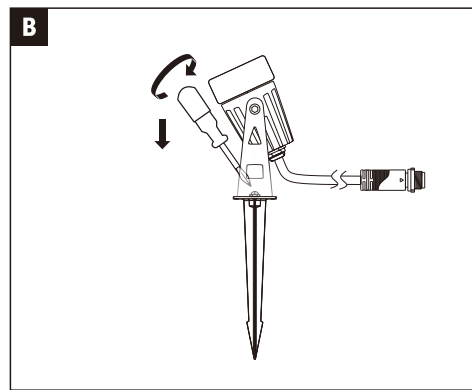
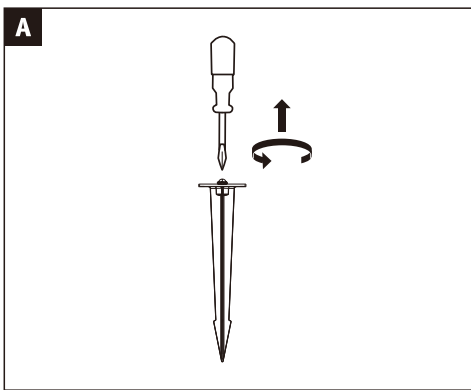
CE UK CA

**943.73**: 3x DC24V, 3x spike, 1x DC24V driver, 1x 5Meter cable

**943.74**: 1x DC24V, 1x spike, 1x screwdriver

**945.74**: 1x DC24V, 1x spike

**945.75**: 1x DC24V, 1x spike



**Driver**: Paulmann Art.-Nr. 988.48

**Control Box**: not incl. Paulmann Art.-Nr. 939.99

**Remote Control**: not incl. Paulmann Art.-Nr. 180.11

**ZigBee Remote Control**: not incl. Paulmann Art.-Nr. 500.67

