

Safety Instructions

1,2,3,4,5,6,7,10,12,13,16,19,
20,22,24,28,33,34



Info

www.paulmann.com

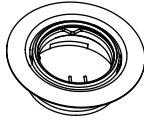
Paulmann Licht GmbH
Quezinger Feld 2
31832 Springe
Germany

www.paulmann.com

Art.-Nr.: 934.25
934.27



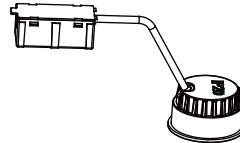
incl.



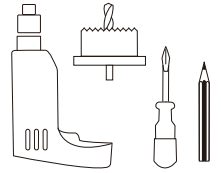
3x



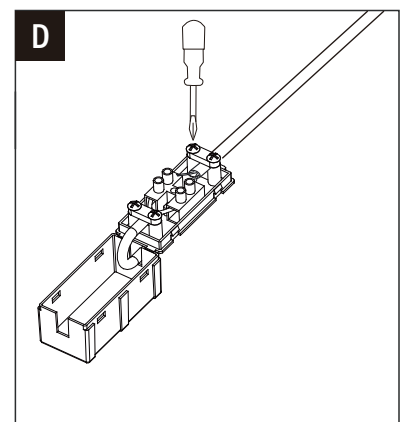
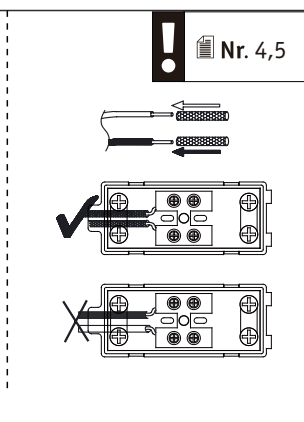
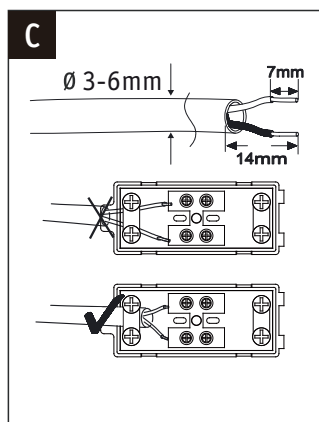
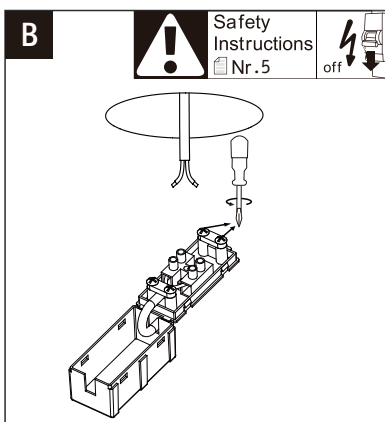
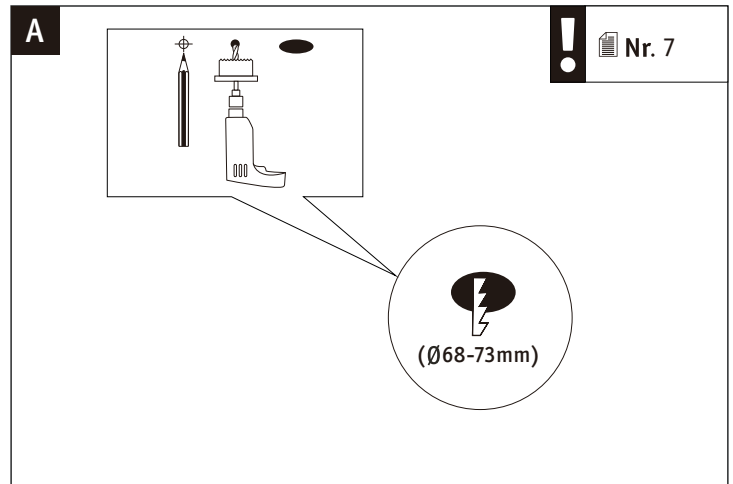
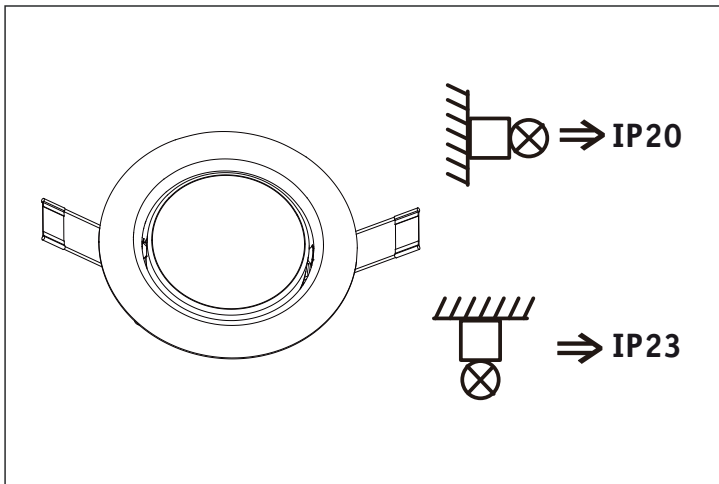
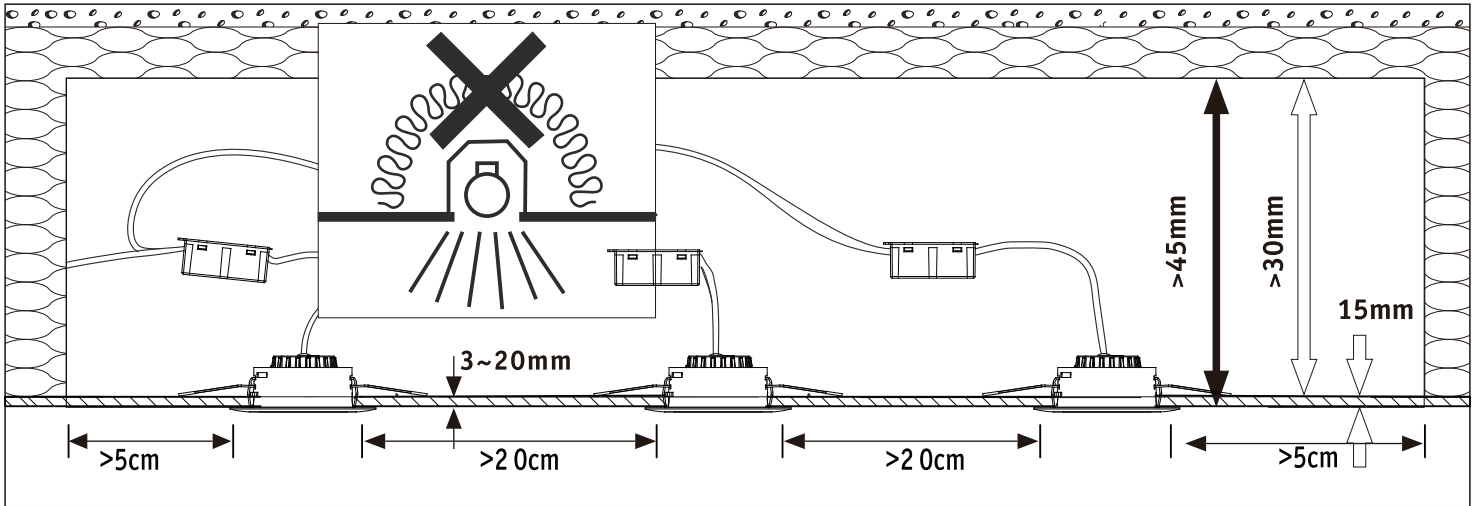
6x

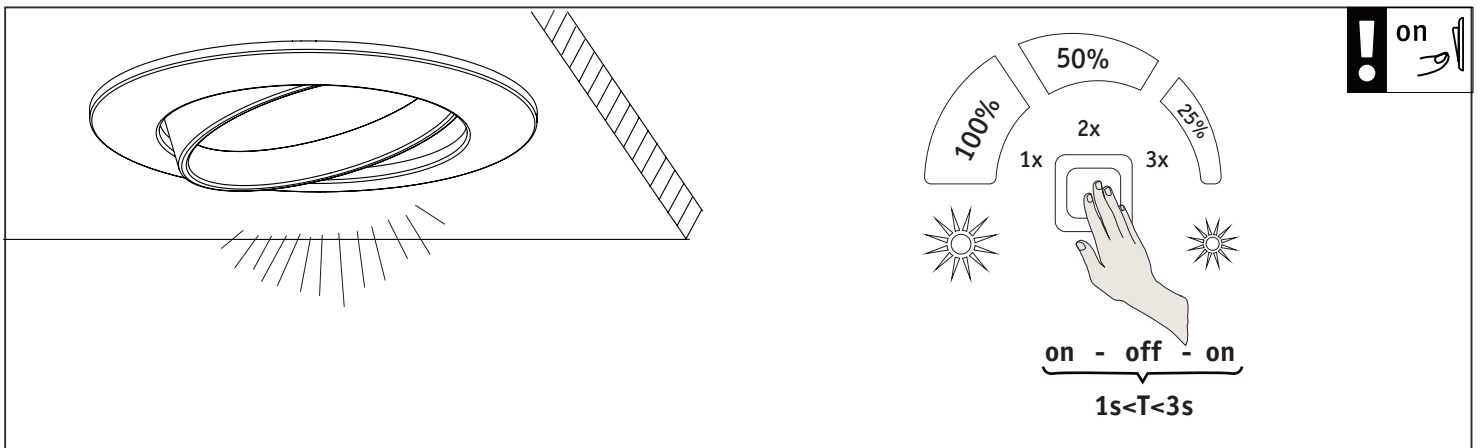
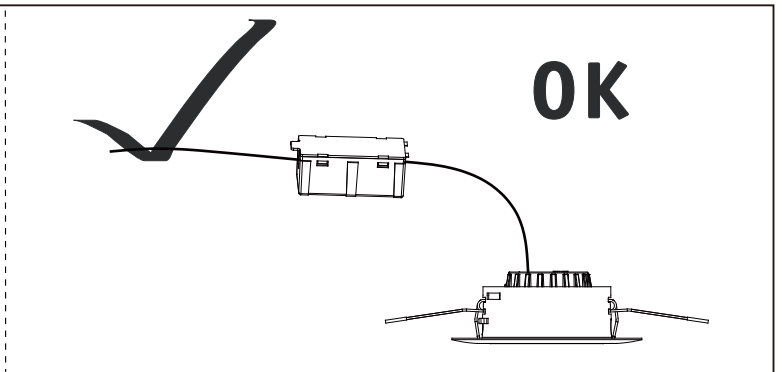
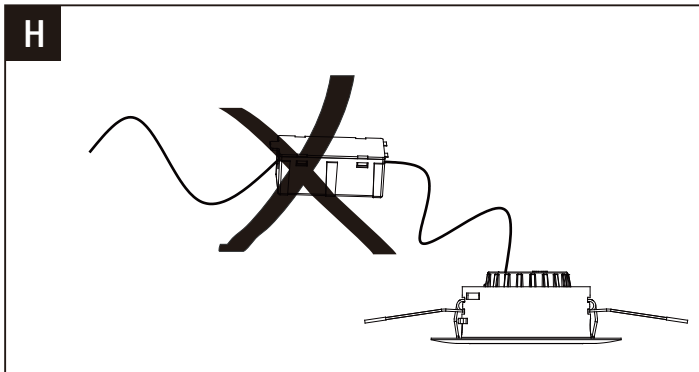
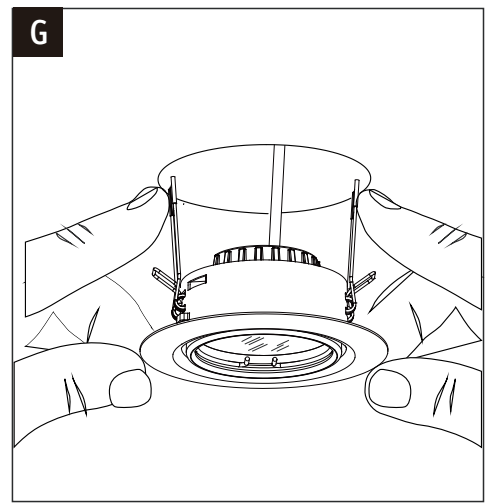
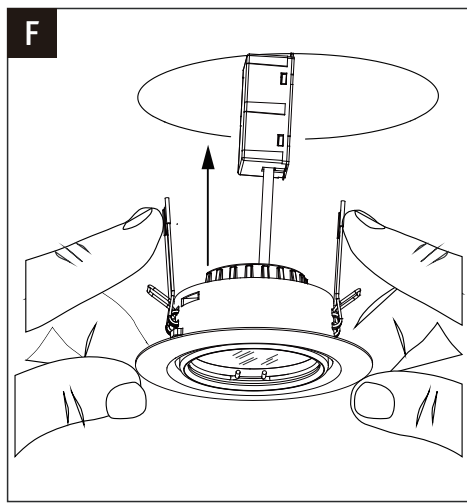
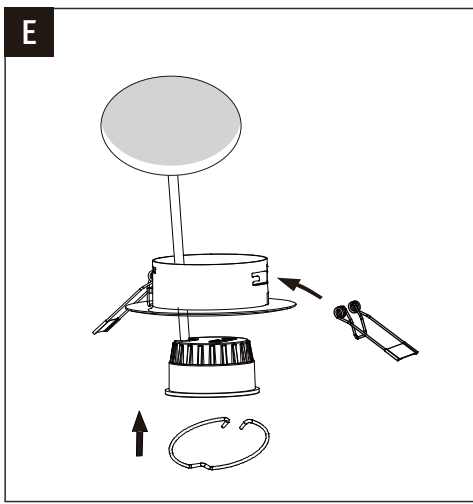


3x



(+MA326) PSPU 04/18





<p>ENERG Y IJA IE IA енергия · ενεργεια</p> <p>A⁺⁺ A⁺ A B C D E</p> <p>A⁺</p> <p>5 kWh/1000h</p>	<p>ø 51 mm</p>	<p>350 lm 5W 230 V</p> <p>▼ warm white 3000 K</p> <p>CRI/Ra ≥ 80</p>	
	<p>dimmable</p>	<p>≈ 15x 1.000h</p>	<p>ON OFF ≥50.000</p>
		<p>Lumen 60% < 2 s</p>	
		<p>21 PAP</p>	
			<p>390003975</p>