

## Safety Instructions

1,2,3,4,5,6,7,10,12,13,16,19,  
20,22,24,28,33,34



Info

[www.paulmann.com](http://www.paulmann.com)

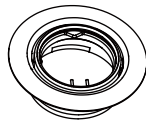
Paulmann Licht GmbH  
Quezinger Feld 2  
31832 Springe  
Germany

[www.paulmann.com](http://www.paulmann.com)

Art.-Nr.: 934.21  
934.23



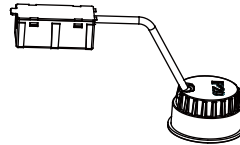
incl.



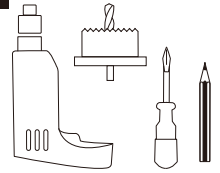
3x



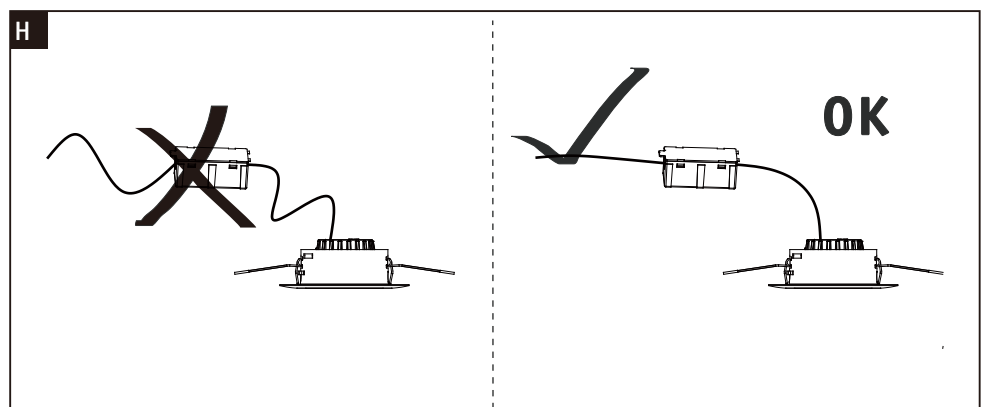
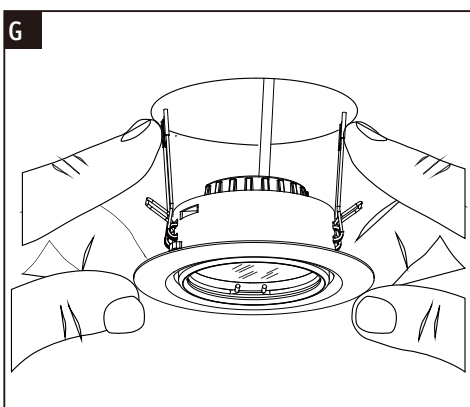
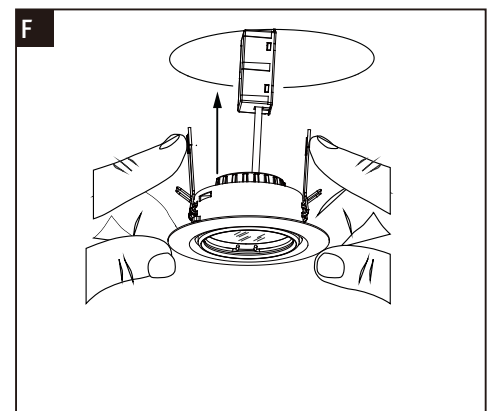
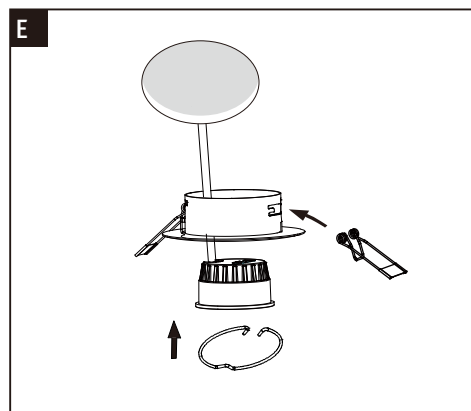
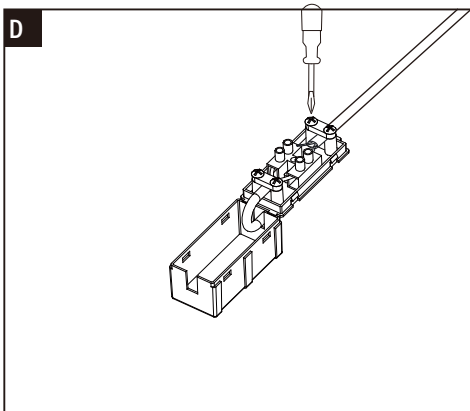
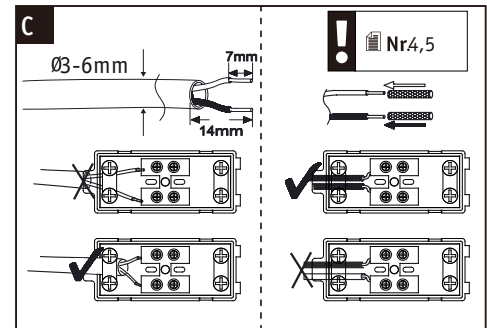
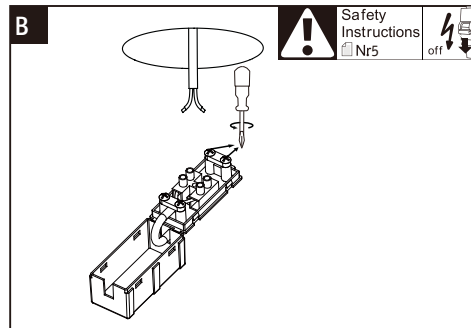
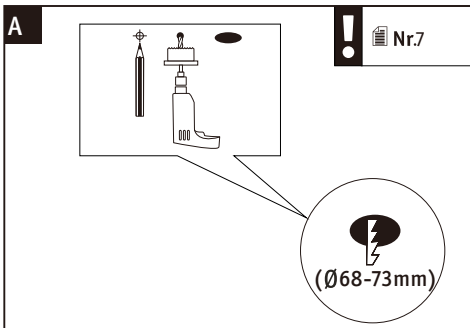
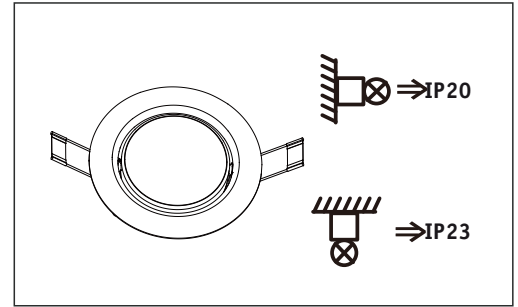
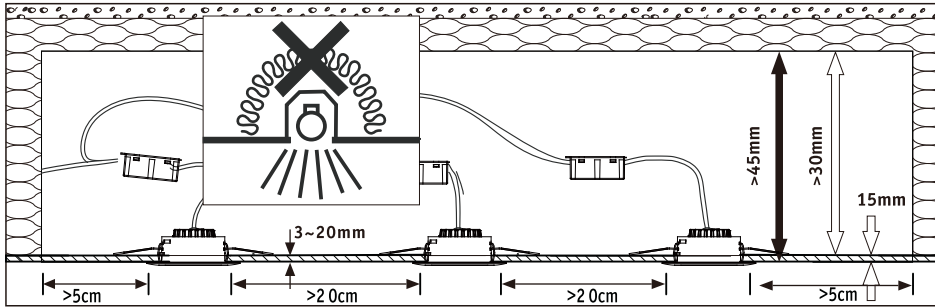
6x



3x



(+MA326) PSPU 04/18



**ENERG** Y IJA  
 IE IA  
 енергия · ενέργεια

A++  
 A+ **A+**  
 A  
 B  
 C  
 D  
 E

5 kWh/1000h



**350** lm  
**5W**  
**230 V**

warm white  
**3000 K**

CRI/Ra ≥ 80

≈ **15x**  
**1.000h**

ON OFF ≥50.000

Lumen 60% <2 s



390003968