



### Safety Instructions

1, 2, 3, 4, 5, 6, 7, 8, 12, 15,  
16, 17, 18, 19, 20, 24, 28,  
33, 34



### Info Hotline



**+49 (0) 5041 998 389**

Mon.-Do. 7<sup>00</sup>-20<sup>00</sup>  
Fr. 7<sup>00</sup>-17<sup>00</sup>

Paulmann Licht GmbH  
Quezinger Feld 2  
31832 Springe  
Germany

[www.paulmann.com](http://www.paulmann.com)

Art.-Nr: 706.41/42/43/44/45  
/46/47/48/49/50/51  
/52/53/54/55/56

(+MA326 ) PIL 01/17



1x

706.41\_42\_43

706.53\_54\_55\_56



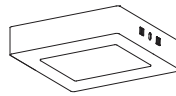
1x

706.44\_45\_46\_47\_48

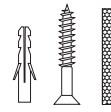
706.49\_50\_51\_52



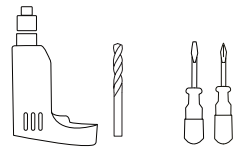
1x



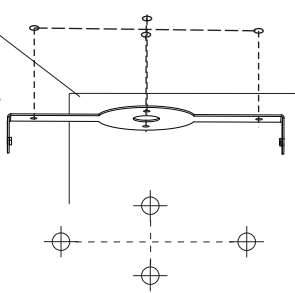
1x



Incl.



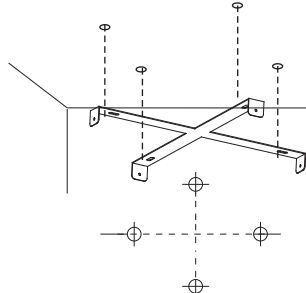
**A**



70641/42/43/44/45/46/48/49/50/51/53/54

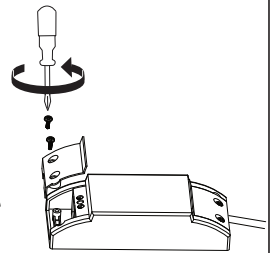


**Safety Instructions**  
Nr.3,4,5,6,7,8

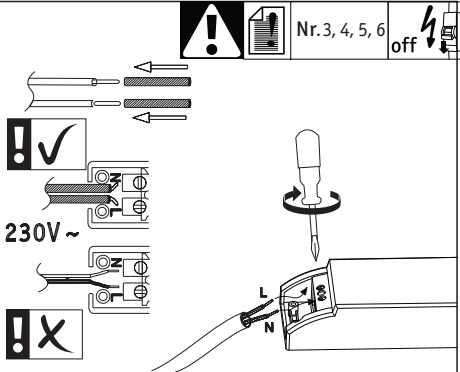
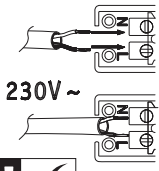
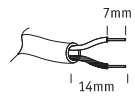


70647/51/52/56

**B**



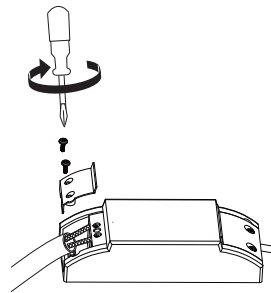
**C**



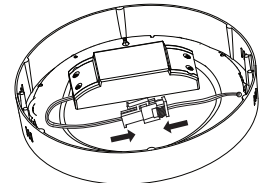
Nr.3, 4, 5, 6



**D**



**E**



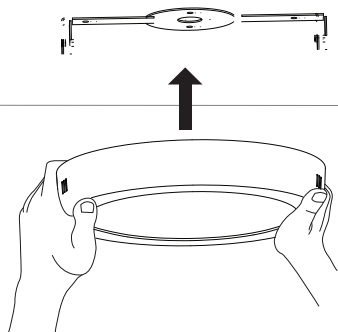
Nr.3, 4, 5, 6



**F**



Nr.3, 4, 5, 6



**G**



Nr.3, 4, 5, 6



**H**

